

**SA|Eng.**

Soluzioni per l'Ambiente



# SA1 - 1300

SINGLE SHAFT SHREDDER



**High speed shaft with size regulation screen**

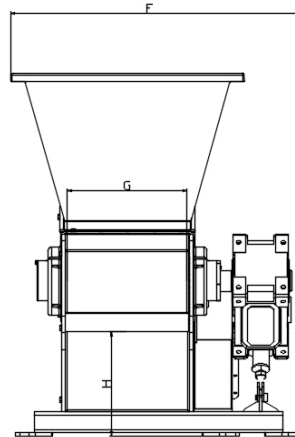
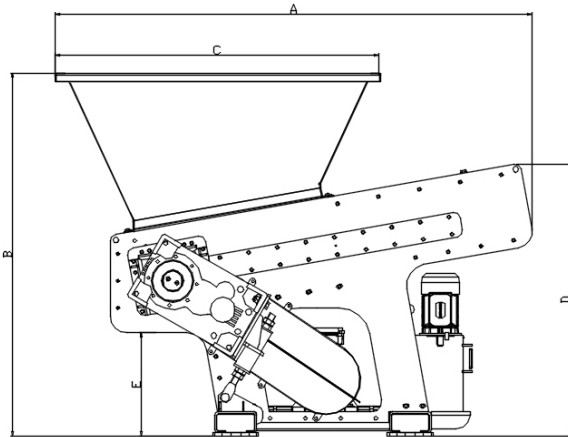
- Shredding chamber size 1300 x 550 mm
- Shaft driven by gearbox and electric motor connected by belt
- Removable teeth installed on the shaft
  - Manual opening screen
- Teeth available on different sizes

***Ideal for the treatment of:***  
***Plastics - Wood***



# SA1 - 1300

SINGLE SHAFT SHREDDER



Dimensioni	
A:	2300
B:	2170
C:	1560
D:	1630
E:	500
F:	2350
G:	1300
H:	500



Visit our website

You're welcome !!  
Come to visit us



## TECHNICAL DETAILS:

### • Shredding chamber

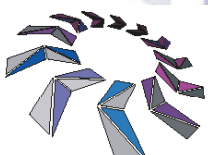
- Chamber size	mm	1300 x 550
- Number of shafts	n.	1
- Shaft diameter	mm	280
- Shafts speed	rpm	70-90
- Number of theets	n.	10
- Theets size	mm	43x43
- Kind of teeths		flat
- Gearboxes	n.	1
- Trasmission system		Belt drive

### • Drive system

- Electric motor	n.	1
- Installed power	kW	37 - (45)
	HP	50 - (60)
- Voltage	V	400
- Control system		by PLC

• Machine weight	Kg	2.250 ca.
------------------	----	-----------

Technical characteristics can be change without notice



**SA|Eng.**  
Soluzioni per l'Ambiente

Legal office and North East Italy representation: Via Noventa, 80 - San Donà di Piave (VE)  
Operative office, Export and North West Italy representation: Via Della Filanda, 9 - Arluno (Mi)  
Tel: +39 02 22 19 1230    www.sa-eng.it    info@sa-eng.it